



## **REGULATIONS AND SPECIFICATIONS FOR THE 2014 FORMULA "M" CHAMPIONSHIP**

### **NORTHERN REGIONS MOTORSPORT CIRCULAR 11/14 (158827/14)**

**The following are standing regulations and specifications for the 2014 Formula "M" Championship.**

#### **VALIDITY OF THESE REGULATIONS**

NOTE: ALL SAFETY INFORMATION (MATERIAL SIZES ETC.) CONTAINED IN THESE REGS ARE BASED ON EXPERIENCE GAINED THROUGH YEARS. NO CRASH TESTS OF ANY KIND HAS BEEN PERFORMED.

These regulations apply for the calendar year of 2014.

#### **RULES OF COMPETITION**

##### **1. CONTROLLERS**

- 1.1 The controllers of the championship shall be Motorsport South Africa (Pty) Ltd (herein referred to as MSA) which has delegated control to the Northern Regions Motorsport Committee and the South African Formula "M" Racing Club Championship Committee (herein referred to as the COMMITTEE) as provided for in these regulations.
- 1.2 The Controllers reserve the right to amend, alter or introduce additional regulations and to issue interpretation of these regulations if deemed necessary, in the form prescribed by MSA.
- 1.3 All representations of the South African Formula "M" Racing Club competitors to the CONTROLLERS shall be made through the chairman of the COMMITTEE. Non-compliance with this article shall result in disciplinary action by the COMMITTEE as provided for in the constitution.

##### **2. AIM OF THE CHAMPIONSHIP**

To declare Club Champions as provided for in these regulations.

##### **3. REGULATIONS**

- 3.1 All qualifying races shall be held under the GENERAL COMPETITION RULES and STANDING SUPPLEMENTARY REGULATIONS OF MSA, these standing regulations and the supplementary regulations are issued by the promoters/organisers of events;
- 3.2 References to the male gender in these regulations include the female gender.

##### **4. CHAMPIONS**

The following champions will be declared:

SAFMRC Club Champion Class A  
SAFMRC Club Champion Class B  
SAFMRC Club Champion Class C  
SAFMRC Club Champion Class D  
SAFMRC Senior Champion  
SAFMRC Junior Champion  
SAFMRC Index Winner

##### **5. ELIGIBILITY OF CARS**

- 5.1 Formula "M" racing cars are of the open wheel, single seater, rear engine, rear wheel drive design, powered by motorcycle engines, restricted to one engine per car.
- 5.2 The driver shall be seated on the centre line of the vehicle.
- 5.3 The vehicle may be of space frame or monocoque design, but subject to article 23.
- 5.4 The Championship shall be open to all cars complying with the specifications and regulations referred to in these standing regulations.
- 5.5 Each competing vehicle shall be subject to an inspection, which will cover general compliance, finish and appearance, as and when required by THE COMMITTEE.  
A member of a Technical Committee appointed by the COMMITTEE will carry out this inspection.
- 5.6 Successful completion of this inspection will result in the issue of a registration certificate.
- 5.7 The COMMITTEE shall hold a record of all chassis.

- 5.9 Subject to 14 (fourteen) days' notice in writing, the certificate mentioned in article 5.7 may be withdrawn if the standard of turn-out of the vehicle falls below the acceptance limit.
- 5.10 Should, during the season, any of the information on the certificate change, which will include, but not limited to, a change of engine or dimension of the chassis or a change of class in which the car competes, the car shall be submitted by the competitor for the issue of a new certificate. In the event of non-compliance with this regulation it shall be deemed that the change took place immediately after the existing certificate was issued, and in which event such competitor shall forfeit all points accumulated since the issuing of the certificate, should the car not comply with the prescribed specifications.

## 6. ELIGIBILITY OF DRIVERS

- 6.1 All entrants and drivers entering a Formula "M" event must:-
- 6.1.1 Be a registered member of the South African Formula "M" Racing Club;
- 6.1.2 Be in possession of a valid Formula "M" competition licence issued by the MSA;
- 6.1.3 Comply with the regulations for the specific class entered.
- 6.2 Minimum age limits in respect of the different racing classes are the following:
- 6.2.1 Class D – **Not less than 8** (eight) and not more than 13 (thirteen) years of age;
- 6.2.1.1 The COMMITTEE shall classify a competitor older than the maximum age limit prescribed per class, should such competitor have had no or such limited experience, as a novice. Such competitor shall only be entitled to compete in that class for a period of 2 (two) years after the date of his first race in that class.
- 6.2.2 Class C – **Not less than 12** (twelve) years old.
- 6.2.3 Class B – **Not less than 15** (fifteen) years of age;
- 6.2.4 Class A – **Not less than 16** (sixteen) years of age. Preference will be given to drivers progressing thru class-B. All drivers under the age of 18 will proof to the committee that they have enough skills to be able to safely control and race a class A car. **ALL** new drivers in Class-A, will be subject to a probation period of at least 6 months. During this period, the committee reserve the right to cancel a person's Class-A membership to race in this class-A, at any point.
- 6.3 A driver shall be deemed to be of the required minimum/maximum age by the 31<sup>st</sup> July of the year concerned.
- 6.4 Notwithstanding the minimum ages imposed in this article, the COMMITTEE may allow, in its discretion, a younger competitor to compete in a higher class, after having taken into consideration his age, experience, competence, previous participation and results and competitiveness in motorsport.
- 6.5 No person being of the required age shall automatically become entitled to participate in a class. The COMMITTEE shall in each case consider an applicant's age, experience, competence and competitiveness in motorsport, and, especially in the case of minor applicants, shall give the principle of progression through the junior classes to the senior classes serious consideration. The safety of other competitors shall always be taken into account when considering an application.
- 6.6 Before entering his first race, a new member shall satisfy an appointed member of the COMMITTEE that he is capable to race safely and knows and understands the applicable rules and flags. The Committee member shall issue a competency certificate, without which no competitor shall be entitled to compete in his first race.
- 6.7 There is no restriction on the domicile of competitors scoring towards club championship.

## 7. CHAMPIONSHIP MEETINGS, VENUES, DATES AND POINTS

- 7.1 The championship meetings, venues and dates are listed in the MSA calendar.
- 7.2 All meetings listed as per article 7.1 will be point-scoring Championship meetings.
- 7.3 All events organised by the COMMITTEE are run in heats, the number of which is in the discretion of the COMMITTEE.
- 7.4 Each Championship race meeting has the same point's value and counts for the same Championship points as determined in article 9, notwithstanding the number of heats per Championship race meeting.
- 7.5 BONUS POINTS: 12(twelve) Bonus points will be awarded to all drivers participating in official timed practice of an "away" race meeting. "Away" race meetings will be seen as meetings at the following circuits, Phakisa (Welkom), Polokwane (Pietersburg) and Lichtenburg.
- 7.5.1 Bonus points will be awarded to members that, actively, participate at a motor show (promotional event). The driver must be present at the event to score the points. The events will be nominated by the committee and must be events like the annual Cars in the park show, Gauteng Motor show etc. Minor events do not count towards the bonus points, unless if nominated by the committee. A maximum of 5 Bonus points will be added to the points (overall and class). All members/drivers must be given an equal opportunity during the season to participate in a show.
- 7.6 **It shall be deemed that a competitor is classified as a starter, if he/she crossed the start line under the car's own power, during an official qualifying session or race heat.**
- 7.7 No car from a specific class shall be used to make up numbers for another class. No car shall be entitled to be entered for more than one class per race meeting.
- 7.7.1 Classes A, B, C & D will compete separately for the purposes of a class Champion.
- 7.7.2 Points will be scored separately, in accordance with article 9, for each separate class.

- 7.7.3 Where classes A, B & C are combined the competitor with the highest number of points, regardless of class, shall be declared senior champion.
- 7.7.4 The racing number 'ONE' shall be allocated to the Formula M Champion (Class-A,B and C) to be used during the next Championship season;
- 7.7.5 No driver or vehicle change will be allowed after scrutineering unless approved in writing by the club Chairman and with the consent of all competitors in the class.

**8. RACE DURATION**

The number of laps for each heat during a race meeting shall be determined by the Organisers on the basis that it shall be a minimum of **24 kilometers** per heat.

**9. APPROVED POINT SCALES**

The only points scale to be used in the Championship is the following:-

- 9.1 Each Championship race meeting shall have the same point's value, notwithstanding the number of heats run. There will be three point scoring systems:
  - 9.1.1 Class position points as per the conventional way, counting towards class championships.
  - 9.1.2 Index points that are specifically implemented to overcome the following problems and thereby ensuring that a less advantaged competitor can be rewarded for his skill –
    - less powerful engine;
    - older tyres;
    - older design;
    - all other money = speed influences

NOTE: Index points will only count towards the Index winner and will have no influence towards the class or overall Championship.

**9.2 POINTS**

- 9.2.1 Subject to article 9.4, the index points value of a championship race heat (two heats per event), shall be as follows:

	Class A, B & C	Class D
1 <sup>st</sup> place	12	6
2 <sup>nd</sup> place	11	5
3 <sup>rd</sup> place	10	4
4 <sup>th</sup> place	9	3
5 <sup>th</sup> place	8	2
6 <sup>th</sup> place	7	1
7 <sup>th</sup> place	6	
8 <sup>th</sup> place	5	
9 <sup>th</sup> place	4	
10 <sup>th</sup> place	3	
11 <sup>th</sup> place	2	
12 <sup>th</sup> place	1	

- 9.2.2 The position points value of a championship race heat (two heats per event), shall be as
- 9.2.3 follow:

**Class A, B, C & D, Class- Championship**

1 <sup>st</sup> place	12
2 <sup>nd</sup> place	10
3 <sup>rd</sup> place	8
4 <sup>th</sup> place	6
5 <sup>th</sup> place	4
6 <sup>th</sup> place	2

**Overall Senior Club Championship**

To determine the overall Senior Champion, the following sliding scale will be used:

**6 or more Starters in a class per race/heat:**

1 <sup>st</sup> place	12 points
2 <sup>nd</sup> place	10 points
3 <sup>rd</sup> place	8 points
4 <sup>th</sup> place	6 points
5 <sup>th</sup> place	4 points

6<sup>th</sup> place 2 points

**5 Starters in a class per race/heat:**

Scoring start from 2<sup>nd</sup> place down.

**4 Starters in a class per race/heat:**

Scoring start from 3<sup>rd</sup> place down.

**3 Starters in a class per race/heat:**

Scoring start from 4<sup>th</sup> place down.

**2 Starters in a class per race/heat:**

Scoring start from 5<sup>th</sup> place down.

**1 Starter in a class per race /heat:**

2 points.

***A starter will be a car that passes the start line, under its own power, after the official start of the timed practice or any race heat.***

- 9.3 Should there be more than two heats per Championship race meeting, the total points multiplied by two referred to in article 9.2 shall be divided by the number of heats, each heat to score points individually and equally and to be added up to obtain the final results of the day. A one-heat event will score total points multiplied by two.
- 9.4 Points awarded per CLASS Championship (A, B AND C) heat and race meeting will not be subject to the amount of cars participating.
- 9.4.1 Index points remain unchanged.
- 9.5 Separation of ties at the end of a Championship season will be dealt with in accordance with GCR229.
- 9.6 Index application:  
The following will apply:
- 9.6.1  $(\text{fastest lap} * \text{laps completed} / (\text{racetime}) - \text{credit}) * 100 = \text{index}$
- 9.6.2 Highest index scores highest points
- 9.6.3 A credit of 0.5 seconds will be given per position behind the first position. This credit is for time lost on the start line and 9.6.4 is to prevent abuse.
- 9.6.4 In the event of a competitor recording a lap time 3% higher than his qualifying time, he will be excluded from the index of that heat.
- 9.7 Trophies for 1<sup>st</sup>, 2<sup>nd</sup> and 3<sup>rd</sup> place in each class (Club Championship) will be handed out after the results have become final for the day. Depending on the organisers of an event

## **10. JUMPED STARTS**

- 10.1 Any competitor jumping a start shall :-
- 10.1.1 Be penalised by 30 seconds or as decided by the COC of the day.
- 10.1.2 A start shall be deemed to be a jumped start if there is any movement after the 5 second board is displayed.

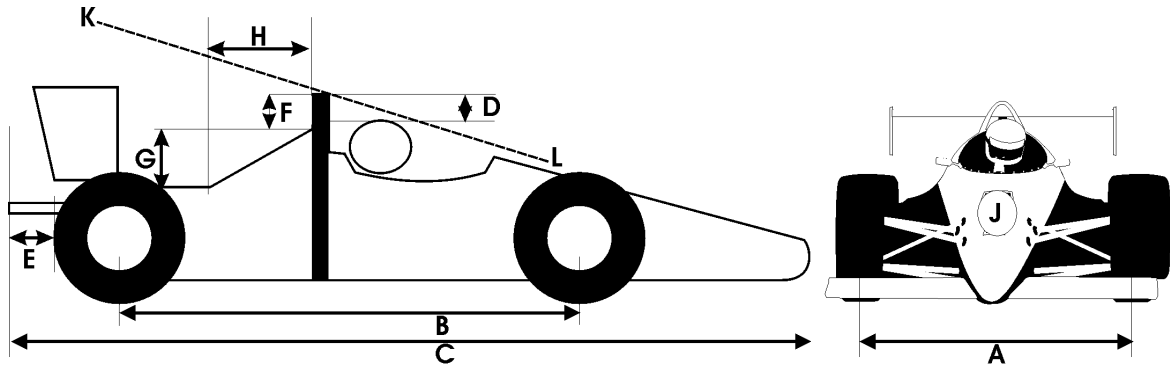
## **11. GRID POSITIONS**

- 11.1 The grid position for the first heat of a meeting shall be determined by the official timed practice held before the first heat.
- 11.2 Subject to article 10.1.2, grid positions for subsequent heats during a race meeting will be determined by the finishing order of each previous heat.

## **12. LEGALITY/STRIPPING PROCEDURE**

- 12.1 Apart from the officials authorised in the GCRs to impound cars for legality checks, the Clerk of the Course shall at any race meeting, consider impounding and checking a car having broken the lap record for compliance with the regulations. The Clerk of the Course shall make his decision in consultation with the scrutineers, appointed technical consultant and Chairman of the COMMITTEE.
- 12.2 In the event of any competitor protesting the legality of the car of a competitor, such protestor shall, when lodging his protest in accordance with GCR 198 and apart from the fees payable as from time to time prescribed by MSA, pay to the Chairman of the COMMITTEE, in the event of-
- 12.2.1 A strip requested for a car with a four-stroke engine, R5 000.00 (FIVE THOUSAND RAND), should the stripping of a head be required, and R10 000.00 (TEN THOUSAND RAND) in the event that the dismantling of the engine be required; and
- 12.2.2 A strip of a two-stroke single cylinder car be requested, R1000.00 ( ONE THOUSAND RAND), should the stripping of head/barrel be required and R1500.00 (ONE THOUSAND FIVE HUNDRED RAND) in the event of a total strip by splitting the gearbox casing;
- 12.2.3 These amounts shall be paid to the competitor whose car has been protested should his vehicle, after the legality check, be found to be legal, in order to cover costs for the replacement gaskets and other necessities, and repaid to the protestor in the event of the car protested be found illegal.
- 12.2.4 A strip requested by the COMMITTEE has no fees payable.
- 12.3 Class Representatives may from time to time call for a partial or comprehensive strip/check to insure fair

competition in his class. This must be done in consultation with the Technical Chairman and the technical advisor



to ensure correct procedures and with the approval of the Club Chairman to ensure the absence of victimization.

- 12.4 Any member whose vehicle has been found to be illegal at a legality check shall be liable for payment of all fees levied to the club for services rendered, which amount shall be paid before such member shall be entitled to enter for any subsequent event. Should more than one member be involved, the costs shall be shared equally.

**GENERAL FORMULA "M" CAR SPECIFICATIONS**

**13. CLUB DECALS**

Decals advertising Formula "M" and the website shall be purchased and displayed by all members as indicated as "J" on the sketch under article 15.

**14. COMPETITION NUMBERS**

14.1 Cars shall be identified by means of a number, to be allocated by the COMMITTEE.

14.2 Numbers shall be displayed in a durable and legible manner to show forward and on each side of the car.

**15. BASIC CAR DIMENSIONS**

The different classes shall comply to the minimum and maximum dimensions as stipulated by the following drawing:

**15.1 Classes B & C**

A	Minimum – Maximum track	1000 – 1600mm
B	Minimum – Maximum Wheel base	1520 – 2600mm
C	Maximum overall length – all inclusive	3900mm
D	Minimum clearance between top of roll-over and top of helmet, measured in horizontal plane	50mm
E	Maximum exhaust length beyond rear point of car excluding aerofoil	150mm
F	Maximum height from top of roll-over bar to centre of adjoining staybar	150mm
G&H	To suite new gen motor dimension and be approved by TC	
J	Club decal	
K&L	Safety roll-over bar to steering bulkhead roll-over bar – driver’s head not to protrude the imaginary line	

NOTE: Existing cars which were built in accordance with the original Class A Formula Super M rules, which dimensions exceed A, B and C, will be allowed as is, subject thereto that their certificates (see 5.7) are duly endorsed.

**15.2 Class D**

A	Minimum – Maximum track	840 – 1010mm
B	Minimum – Maximum Wheel base	1370 – 1620mm
C	Maximum overall length – excludes exhaust and rear aerofoil but includes tyres	2850mm
D	Minimum clearance between top of roll-over and top of helmet	50mm
E	Maximum exhaust length beyond rear point of car excluding aerofoil	150mm
F	Maximum height from top of roll-over bar to centre of adjoining staybar	150mm
G	Open dimension	
H	Minimum 70% of dimension G	

## 16. MINIMUM WEIGHT LIMIT

16.1 The following minimum weight limits will apply to the different classes:

16.1.1 Class D: for vehicles using engines  $\pm$  16 Kw (21HP) and not exceeding 21 kW – minimum weight 190kg

Two-stroke – 130cc maximum

Four-stroke – 250cc maximum. The Jonway Hawk 250 configuration that is currently under development, is allowed.

16.1.2 Class C: for vehicles using engines 48 kW max (64HP) – minimum weight 350kg

Two-stroke – not allowed

16.1.3 Class B: for vehicles using engines 80 kW max (107HP) – minimum weight 425kg. A weight penalty of 4kg per kilowatt will be added to cars with motors that exceed 80 kw, to a maximum of 475kg. Max 30kg ballast.

The following weight penalty will be applied to all current out of spec motors. 4Kg for every Kw over 80 Kw and 2Kg for every Newton meter over 70nm.

16.1.4 **To determine the specifications of a motor, the only specifications that will be used, to determine the weight penalties, is those that will be found on the webpage: [www.motorcyclespecs.co.za](http://www.motorcyclespecs.co.za) . In the event that this website is not active, the technical chairman will nominate another source for the information.**

Two-stroke – not allowed

16.1.5 Class A: - minimum weight 500kg. As far as possible, the weight must be part of the car's structure to assist in the strengthening of the car. A maximum of 30kg ballast weight may be used for additional weight. The weight ballast must be secured with more than one bolt, not more than 100mm apart, with washers to prevent it from pulling through in the case of an impact. Properly secured heavier under trays will not be considered ballast weight.

16.2 The weight prescribed in 16.1 includes the driver with full racing gear;

16.3 Cars must comply with the weight limit from commencement of timed practice until completion of the final race of the day and the release of cars from *parc ferme*;

16.4 It is the duty of each competitor to ensure that his car complies with the weight limit according to the scales at a specific racetrack (or if not functional, the club scale will be used) before the meeting commences. The reading at scales shall indisputably be deemed to be correct unless determined to the contrary by the Clerk of the Course before commencement of the timed practice;

16.5 All weight in cars shall be as far as possible structural in nature, and no non-structural ballast of more than 30 kilograms shall be allowed and not more than 10 kilograms on any 100 millimeter wide transverse portion. Ballast may form part of the floor tray but shall not be secured to or supported by the floor tray. The floortray may be accepted as structural ballast, depending on the manner fixed to the chassis.

16.6 Infraction will result in exclusion of all events completed for the day.

## 17. WHEELRIM & TYRE RESTRICTIONS

17.1 Rim diameters of Classes B and C cars may not exceed 13 inches.

17.2 Rim diameters of cars of Class D shall be 8 inches.

17.3 The rim widths of Class D cars are limited to a maximum of 150 mm.

17.4 Class D tyres shall be between 4,0 inch width x 8,0 inch diameter and 6,5 inch width x 8,0 inch diameter.

17.5 Classes B & C are allowed to use any racing slick tyres up to a maximum width of 255 mm that are locally commercially available. Semi slick tyres are not allowed. The use of wet weather tyres are allowed and the size must be the same as the allowed slick tyre (13" rim size, maximum width 255mm). **There are no width restrictions for Class A.**

17.6 The use of tyre warmers is prohibited.

17.7 Remoulded or retreaded tyres are prohibited.

17.8 ALL Classes must have at **least 1mm thread** on tyres at pre-scrutineering over the whole surface of the tyre. The class Chairman will be entitled to check tyre wear during the race day to ensure safety.

17.9 Application may be made to the COMMITTEE for the use of locally available road tyres or rims of a different specification. The application will be viewed in the light of cost, safety, performance and availability.

## 18. SUSPENSION

The design and construction of the suspension is unrestricted, subject thereto that rose joints under bending motion shall be a minimum of 12mm (Recommended 20mm). ROSE JOINTS must be clean and free of any paint and dirt.

## 19. BRAKES

19.1 Each car shall have a foot-operated hydraulic brake system operating all four wheels.

19.2 Two single master cylinders or one tandem type master cylinder shall be used, splitting front and rear.

19.3 Any standard motorcycle or car discs and calipers may be used. These may be modified for fitment purposes only. ABS and aftermarket performance brake components are not allowed.

## **20. STEERING**

- 20.1 All cars shall be controlled by a steering wheel, which shall be of an approved construction.
- 20.2 Only steering mechanisms which are safe in the opinion of the member of the technical committee referred to in article 5.6 and the scrutineers at each meeting shall be allowed. Steering controlled by cables and monorail chains is specifically prohibited.
- 20.3 The steering mechanism must be well secured to the chassis and easily accessible for purpose of inspection.

## **21. BODYWORK**

- 21.1 The shape and design of the bodywork is unrestricted but shall incorporate the requirements of this article.
- 21.2 All cars shall be fitted with a body, at least underarm height in height, surrounding the driver and extending to the firewall behind the driver.
- 21.3 The bodywork may extend rearwards to enclose the engine or incorporate the rear aerofoil.
- 21.4 The bodywork shall be of a neat and clean appearance and all cars shall be fitted with a cosmetic or functional rear aerofoil.
- 21.5 All removable body panels shall be adequately fastened.
- 21.6 It shall be constructed of mild steel, fibre glass (E-glass), aluminium, stainless steel, or other material acceptable to the COMMITTEE, no other materials permissible.
- 21.7 The driving compartment shall be so designed and constructed that the driver can get out of the driving seat and safety belt in less than 10 seconds. The driver shall be able to get into or out of the safety belt and driving seat without having to remove or manipulate any part of the car, other than a removable steering wheel.
- 21.8 All cars shall be fitted with a seat mounted independently from, and not supported in any way, by the floor (undertray).
- 21.9 Air ducting may be attached to or incorporated in the bodywork.
- 21.10 The attachment of aerodynamic devices is permitted.
- 21.11 Wheels shall remain external to the bodywork. Full nosecones shall be allowed.

## **22. FLOORING**

All cars shall be fitted with a floor, extending from the front of the vehicle to a point not shorter than the beginning of the driver's seat and shall be a minimum thickness of either 0,8mm steel, 1.6mm aluminium, 6mm fibreglass in single skin, or 6mm plywood; other materials must be approved by the Technical Committee.

## **23. CHASSIS AND SPACE FRAMES**

- 23.1 No load or stress-bearing part of any chassis constructed of steel, shall use material –
  - 23.1.1 Class D - thinner than 1.6 (one comma six) mm and rectangular less than 20 x 20 mm.
  - 23.1.2 Class C - thinner than 1.6 (one comma six) mm and rectangular less than 32 x 20 mm.
  - 23.1.3 Class B - thinner than 2 (two) mm and rectangular less than 32 x 20 mm.
- 23.2 No integral part of the chassis shall be of a material thinner than 1,6 (one comma six) mm and less than 16 (sixteen) mm square.
- 23.3 A leg/foot protection cage, depending on vehicle design, shall form part of the front of the chassis and be of a construction to the satisfaction of the Technical Committee;
- 23.4 Cars built before the end of the 1996 season not complying with article 23.1 - 3 can be passed by the Technical Committee on such conditions as it may deem fit.
- 23.5 There shall be two roll bars: –
  - One to be fitted directly behind the driver and designed to protect the driver's helmeted head
  - AND
  - A bulkhead roll-over bar at a point between the hips and ankles of the seated driver.
- 23.6 In respect of Classes A, B and C the roll-bars shall be constructed of a minimum of 32 (thirty two) mm diameter steel tubing with a wall thickness of 3 (three) mm minimum. The rear roll-bar must be supported by two straight stay bars manufactured from 19 (nineteen) millimeter round or square steel tubing of a wall thickness of not less than 1,6 mm (from the rear of the chassis to the roll bar) from a point not lower than 150 (one hundred and fifty) mm from the top of the roll bar to a substantial part of the chassis. The roll-bars must form part of the bottom part of the chassis.
- 23.7 In respect of Class D cars, roll-bars must be constructed of minimum 25 (twenty-five) mm diameter steel tubing with a wall thickness of 2 (two) mm minimum. The roll bar must be supported by two stay bars, one on either side from the rear of the chassis to the roll bar from a point not lower than 150 (one hundred and fifty) mm from the top of the roll bar to a substantial part of the chassis, measured rearwards from the centre line of the roll-bar to the centre line of the rear stay bar fixing point, at a distance of not less than 70% of the vertical height, measured along the roll-bar, from the roll-bar upper chassis fixing point to the centre line of the upper mounting point of the stay bar.
- 23.8 Where staybars are bolted on, high- tensile steel bolts not smaller than 8 (eight) millimeters diameter shall be used.

- 23.9 The roll-bar and stay bars must each have an inspection hole at least 3 (three) mm in diameter.
- 23.10 The Formula "M" technical adviser may, at the recommendation of a member of the Technical Committee, approve any deviation from this rule on condition that such deviation will not affect the strength of the roll-bar and supports as provided for in this article. The technical adviser's decision shall be final. The certificate referred to in article 5.7 shall be accordingly endorsed and produced at scrutineering whenever required.
- 23.11 All chassis shall be constructed of mild steel only, or fibreglass (E-glass) in the case of tube construction, no other materials, not approved by the committee, being permissible.

#### **24. SEATBELTS AND SAFETY GEAR**

- 24.1 A four- or five-point approved safety harness (FIA) of a quick-release type that releases at least all but one points, and which holds the Driver firmly under all racing conditions and in good working condition shall be mandatory. Class D are allowed to use the 50mm wide belts.
- 24.1.1 Seat belt anchor points shall be lower than the shoulder height of the seated driver.
- 24.1.2 The seat belt anchor must be retained with a minimum bolt diameter of 8 (eight) mm high-tensile steel.
- 24.1.3 The anchor point must be a suitable and substantial part of the chassis.
- 24.2 The Driver must be suitably dressed for safe competitive motor racing. A fireproof racing suit, shoes, gloves and helmet are compulsory and these must be in good condition with no tears and gaps and/or cracks. A fireproof balaclava is also recommended for all classes. In the case of class D, a neck brace is compulsory, and is recommended for senior classes. The Driver's protective clothing will form part of the racing season commencement scrutineering, but will be monitored by Class Chairmen throughout the year for race worthiness.

#### **25. IGNITION SWITCH**

- 25.1 All cars shall have an ignition switch inside the cockpit, which shall be accessible by the driver when belted in and from the outside.
- 25.2 In addition to the requirement of 25.1, cars using a battery shall have an electric circuit breaker in the main positive or negative(either) battery leads and shall be easy to operate from outside the car all in compliance with SSR 2.7. All electrical equipment (fuel pump, mist light etc) must be disabled by cutting the emergency circuit breaker. Class D cars with batteries must have cut-off switches as well.

#### **26. HEADER TANK**

- 26.1 Cars may be fitted with header tanks.
- 26.2 The header tank must be of steel or aluminium construction with a minimum wall thickness of 1,6mm.
- 26.3 All pipes fitted thereto must be welded.
- 26.4 The tank, if fitted, and not including the breather, must be below the top edge of the firewall.

#### **27. FUEL TANK**

- 27.1 The fuel tank, (the capacity of which must conform to article 28.4) which includes the Class D header fuel tank, shall be housed within the framework, and shall be firmly and adequately secured, temporary fixings being specifically prohibited;
- 27.2 Fuel tanks which are side-mounted, shall be within a crash-proof frame.
- 27.3 The tank may be constructed of steel, aluminium or plastic (motocross type).
- 27.4 The filling port cap shall have an efficient sealing action.
- 27.5 Non-metallic fuel pipes shall be flexible and adequately clamped at all joints to prevent leakage. No plastic fuel pipes shall be allowed.
- 27.6 A breather overflow pipe shall be fitted, venting from the highest point of the tank, routing upwards to the highest point within the main roll-bar, but not protruding above it (to prevent siphoning) and then down and venting out of the car to a point below the bottom of the chassis.
- 27.7 The breather shall not be larger than 8mm in diameter.
- 27.8 In the event of a car becoming inverted, fuel shall not leak from the tank.
- 27.9 Fuel lines and filters must be placed away from points which are vulnerable in the case of a crash.

#### **28. FUEL**

- 28.1 Only 93/95 Octane fuel (commercially available at fuel pumps, shall be used —. NO ADDITIVES, OCTANE BOOSTERS, MENTHANOL OR RACING FUELS ARE ALLOWED.
- 28.2 **The COMMITTEE has the right to empty out fuel and replace it with controlled fuel before a race in pre race paddock**
- 28.3 Should a fuel test arise from a protest, the protester shall, in addition to the prescribed protest fees, pay to the organisers the fee charged by the approved agent to conduct a test. Should the protest be successful, such amount shall be refunded to him by the protested competitor.
- 28.4 Fuel shall be drained from the fuel pipe connected to the carburettors or as indicated by the Technical Committee.
- 28.5 Every competitor shall indicate to an official, if required, the position of the fuel tank/s of the protested car.
- 28.6 Two-stroke competitors shall supply fully detailed information regarding the two-stroke oil and fuel ration mixed.



28.7 In addition to fees to be paid in terms of article 28.6, any competitor protesting the legality of fuel used by another competitor, shall pay to MSA all such monies as required by MSA to conduct the fuel test as prescribed by the relevant GCR. In the event of fuel being found to be illegal by a final court, or should there be no appeal against the decision of a lower tribunal, all monies expended by a protestor on instruction of MSA, including costs which might be borne by the COMMITTEE shall be repaid by the party protested, who shall not be entitled to enter subsequent race before such payment has been made in full.

## **29. FIREWALL**

29.1 Space frame chassis shall have a firewall of a thickness of not less than 0,8mm for Classes A, B & C cars, and 0,5mm for class D cars fitted between the driver and the engine compartment from the floor pan to a minimum of 100 (one hundred)) mm below the top of the driver's helmet, and shall seal off the engine compartment from the cockpit.

29.2 Cars with monocoque fibreglass design shall have a fibreglass firewall between the driver and the engine compartment of a minimum of 3mm thickness. Metal of 1,6mm may also be used.

29.3 The firewall shall be airtight as far as possible save for holes for cables, gear levers, pipes and other ancillaries, such holes to be sealed as far as possible;

29.4 Class D cars using header fuel tanks shall have a firewall which continues up the roll-bar between the driver's head to a point not less than 30mm above the fuel tank filler opening, excluding breather. The width of such plate shall not be less than that of the roll-bar.

## **30. EXHAUST**

Except to comply with GCR 245, and the sketch (article 15) the design and construction of the exhaust pipes are free, provided the tail pipe does not run parallel to the centre line so that a degree impact will bend the system or it must be kinked.

## **31. CATCH TANKS**

All breathers and overflow pipes from the engine must discharge into a transparent container or one with a level indicator of a minimum of 500ml capacity. There shall be separate catch tanks for oil and water.

## **32. OIL FILLER CAPS AND DRAIN PLUGS**

All oil filler caps and drain plugs shall be wire-locked.

## **33. CHAINGUARD**

Chainguards are compulsory and must be minimum width of 30 (thirty) mm, covering the top vertical rear and horizontal from the rear to the engine.

## **34. REAR-VIEW MIRRORS**

All cars shall be fitted with two rear-view mirrors, giving the driver adequate view to the back of his vehicle.

## **35. ENGINE**

35.1 Subject to article 35.2, only engines as homologated by the COMMITTEE for the different classes (see articles 36.1, 37.1 and 38) shall be used.

35.2 Competitors shall be entitled to apply to the COMMITTEE to homologate other engines, and the COMMITTEE may approve such applications subject to such conditions as they may deem fit, alternatively to decline such applications.

35.3 The COMMITTEE shall prepare an official detailed specification document (herein referred to as THE SPECIFICATION MANUAL) which shall interalia include:

35.3.1 The standard specifications applicable to the engine for use in competition.

35.3.2 The minimum weight of the car using the applicable engine.

35.4 The onus shall rest on all competitors to obtain a copy of THE SPECIFICATION MANUAL applicable to his engine which shall be the only THE SPECIFICATION MANUAL referred to in the event of engine specifications.

35.5 All amendments, additions or explanations to each SPECIFICATION MANUAL, formally signed by the Technical Chairman, shall form part of THE SPECIFICATION MANUAL.

35.6 All information contained in each SPECIFICATION MANUAL, as amplified by the COMMITTEE, shall, should it be contrary to any regulation of this article, override such regulation.

35.7 It shall be the duty of the Technical Committee to prepare SPECIFICATION MANUALS in respect of engines in use by competitors. Any competitor intending to use an engine not in use shall notify the technical committee timeously and shall give all assistance required to obtain the necessary technical information to enable the technical committee to issue such SPECIFICATION MANUAL.

35.8 The COMMITTEE shall furnish MSA with copies of all SPECIFICATION MANUALS compiled, which shall form part of this regulation.

35.9 Unless to the contrary stipulated in these standing regulations or SPECIFICATION MANUALS:

- 35.9.1 **No modifications are allowed.**
- 35.9.2 Engine components must remain completely standard and unmodified.
- 35.9.3 When determining the legality of engines, reference will be made to these regulations and the SPECIFICATION MANUAL referred to in article 35.3.
- 35.9.4 For comparison purposes, a part made available by an official motorcycle dealer of the type of engine under consideration, together with a certificate that such part is genuine and, if applicable, freely locally available, shall be *prima facie* accepted as such.
- 35.9.5 It must be possible to identify all components as original manufacturer parts, where applicable, as specified unless otherwise herein specified.
- 35.9.6 It is recorded that due to a scarcity of certain engine parts, and to ensure that competitors have access to parts and at the cheapest possible prices, the Formula "M" technical committee shall be entitled, at any stage during the racing season, to either *mere motu* or at the request of a competitor, approve the use of a part other than the original manufacturer's part, on condition that -
  - 35.9.6.1 The Technical Committee is satisfied that the use of such part will not result in any performance benefit compared to the manufacturer's part;
  - 35.9.6.2 The manufacturer's part is not freely available locally, alternatively that such part will result in a cost saving for all competitors.
  - 35.9.6.3 Such part is freely commercially available.
  - 35.9.6.4 No competitor shall be allowed to use such part before at least 14 (fourteen) day's written notice of the Technical Committee's decision, with full detail, has been given to all affected competitors.
- 35.9.7 Internal polishing of any part or parts of the engine is prohibited and metal may not be removed.
- 35.9.8 Engine components shall be assembled in the standard configurations and shall comply in all respects with the applicable SPECIFICATION MANUAL and these standing regulations. No factory or other conversion kits, racing kits/parts or high performance parts may be fitted unless specifically allowed.
- 35.9.9 Air filters, cold air boxes and ram tubes are free.
- 35.9.10 Spark plugs, to be used only in the form as purchased, are free.
- 35.9.11 Sprocket (final drive) ratios are free.
- 35.9.12 Clutch springs are free.
- 35.9.13 Cylinder heads and engine casings may be welded as a result of breakage or damage subject thereto that the welding will not have the effect of altering the shape, structure or dimension of the broken part from the original manufacturer's specification. All such repair work will be subject to scrutiny and endorsement of the competitors certificate (see article 5.10) by the technical consultant or member of the technical committee prior to being used.
- 35.9.14 Engine parts may be lightly sand or bead blasted for cleaning purposes and chemical carbon remover may be used, subject thereto that it shall not have the effect of polishing any part and that casting, witness and/or riser marks shall remain visible at all times in default of which such part shall be deemed to have been modified.
- 35.9.15 The legality of any component will be valid only at the time of checking.

## **36. SPECIFIC REGULATIONS & SPECIFICATIONS RELATING TO CLASS D 2-STROKE ENGINES**

- 36.1 The engines listed hereunder are homologated for use by Class D:  
 Yamaha DT / RD 125  
 Honda LS 125  
 Yamaha TZR (Kickstart)  
 The Jonway Hawk 250 fourstroke engine will be allowed and is in an experimental phase.
- 36.2 Re-sleeving is permitted providing the shape, size; profile and position of the ports are not altered from original manufacturer's specifications. The aluminium barrel and especially in the ports may not be ground, polished, blended or altered in any way to suit the new sleeve.
- 36.3 Balancing of the fly-wheel rotor and crankshaft may be done, provided it does not alter the part in shape or size from the original manufacturer's specification.
- 36.4 Fly-wheel rotors may be welded and rivets replaced to prevent breakage, and also repaired by the same means.
- 36.5 Crankshaft pins may be welded in position to prevent distortion.
- 36.6 All engine and gearbox bearings must be genuine factory replacement parts.
- 36.7 All engines shall have provision for sealing by cross drilling one stud or bolt-head in each listed component with a minimum of 2mm diameter hole to prevent the cylinder head, barrel, reed block/inlet, manifold, clutch cover and fly-wheel cover from being removed after sealing.

## **37. SPECIFIC REGULATIONS & SPECIFICATIONS FOR ENGINES - CLASSES B & C**

- 37.1 The following engines are homologated for the following classes:
  - 37.1.1 Class C - Suzuki GS 550 aircooled  
 Suzuki GSXR 400  
 Honda CBR 400 NC23  
 Kawasaki ZX; ZXR, ZZR (400 )  
 Yamaha YFZ, FZR, R (400)

- 37.1.2 Class B -**
1. **Only 599cc motors with a maximum of 92 kW power and a maximum of 70 NM torque will be allowed.**
  2. **The following weight penalty will apply to all current out of spec motors. 4kg for every kW over 80kW and 2kg for every NM over 70nm. These cars must go for structural scrutineering to ensure that they are safe with the additional weight.**
  3. **A written application must be made to the committee before any new motor is fitted to a car, even if you replace it with exactly the same motor. The onus of supplying the committee with the correct specifications lies on the member and not the committee.**
  4. **All out of spec motors must be replaced by no later than the beginning of the 2015 racing season.**
  5. **A maximum re bore of 1mm is allowed. A written application must be made to the committee before any re boring is allowed. At least 2 committee members must inspect the barrels and approve the necessity for the re bore. This will only be allowed if it is proven that it is necessary to do it to enable the motor to be "rescued" for racing. This application must be handed to committee at least 1 month before the next race event.**
- 37.2 No modification or addition to engine or gearbox is allowed except where specifically covered in these regulations.
- 37.3 Mechanical starting mechanisms may be removed. Self-starters must remain functional to be activated by the seated driver.
- 37.4 Alternators and generators **may NOT** be removed or **disconnected** and must be in a 100% working order. No switches are allowed in the circuit, it must be a closed loop.
- 37.5 No data logging equipment are allowed.
- 37.6 Sumps may be baffled to prevent engine damage.
- 37.7 Oil Coolers may be used. If the oil cooler pick-up is from below the sump, it must be suitably protected.
- 37.7 The oil pump may be modified or replaced with a standard oil pump from another motor cycle to improve oil pressure. External pumps may be used.
- 37.8 Faces of cylinder heads must remain parallel.
- 37.9 Only original (unmodified) cam shafts are permitted.
- 37.10 All engines shall have provision for sealing by cross drilling two tappet cover bolts and two bolts on a side cover that will be indicated by the Technical Chairman, with 2mm diameter holes to prevent the engine from being disassembled after sealing.
- 37.11 Valve seat inserts may be replaced The insert may not protrude beyond the combustion chamber profile. The valve seat insert is defined as the metal insert on which the valve seats and does not form any part of the port.
- 37.12 Exhausts and inlets:
- (a) Exhaust and inlet ports are defined from the point immediately below the valve seat insert to the flange face of the cylinder head (the aluminium construction). Ports may not be modified in any way.
  - (b) Intake and exhaust valves may not be modified (Swirl grinding, valve profiling and polishing are strictly prohibited).
- 37.13 Valve guides may be replaced as long as the shape and dimension of the guide does not alter from original manufacturer's specifications. "K" liners are permissible.
- 37.14 Any carburetor or fuel injection system, issued as standard with the engine (refer to relevant SPECIFICATION MANUAL), will be allowed.
- 37.14.1 Fuel injection components must be standard as per the original configuration on the motorcycle, sensors and pick-ups are prohibited from being moved to different positions.
- 37.14.2 No turbo or supercharging are allowed.
- 37.14.3 Only standard carburetors /throttle bodies etc. are allowed. These must be standard as found on the specific motor being used. NO mix and match.
- 37.15 Only standard, unmodified gearbox components are permitted; geardogs may be undercut, racing components being prohibited.
- 37.16 The clutch hub may not be modified in any way. Lightening of the clutch hub is specifically prohibited.
- 37.17 Barrels may be bored to a maximum as determined in the SPECIFICATION MANUALS. Also refer to point 37.1.2.5
- 37.18 Material may be removed from the underside of the crown of the piston only to achieve balance. One piston must remain untouched. Chamfering of piston skirts and shortening of piston skirts is prohibited. Exhaust and inlet valve pockets may be machined deeper.
- 37.19 Only motor cycle ignition systems issued as standard with the engine may be used (refer to relevant SPECIFICATION MANUAL). No additional electronic devices are permitted.
- 38. SPECIFIC CLASS A ENGINE SPECIFICATIONS**
- 38.1 The following four-stroke motorcycle engines may be used In Class A:
- 38.1.1 Any four-stroke motorcycle engine that is approved by The Committee.
- 38.2 The following parts may NOT be replaced by aftermarket performance parts: head, barrels, gearbox, crankshaft, conrods and valves.
- 38.3 Specific modifications allowed and not allowed:

- 38.3.1 Inlet and exhaust ports may be modified.
- 38.3.2 Valve seats and valvehead angles are open.
- 38.3.3 Ignition timing plates and pickups may be modified.
- 38.3.4 Camshaft and camshaft timing may be modified.
- 38.3.5 The cooling system may be modified.
- 38.3.6 The lubrication system may be modified.
- 38.3.7 The exhaust system may be modified.
- 38.3.8 The charging system may be modified.
- 38.3.9 The charging system must be operative and may not be removed.
- 38.3.10 No racing ignition components allowed including data logging systems.
- 38.3.11 Jets and needles in the carburettors may be modified.
- 38.3.12 No aftermarket parts will be allowed.
- 38.4 No additional electronic devices are permitted unless approved in writing by the Technical committee.

**39. SPECIFIC CLASS - CLASS A CHASSIS SPECIFICATIONS**

39.1 Any single seater / open wheel racing car driven by a motor cycle engine will be allowed, only approved chassis (for example;Ex Formula GTI,Formula Ford) will be allowed and no 2001 season and prior class A cars will be allowed unless approved by THE COMMITTEE.

**39.2 Car dimensions:**

<b>TRACK</b>	<b>+1700 mm</b>
<b>WHEEL BASE</b>	<b>+2400mm</b>
<b>OVERALL LENGTH</b>	<b>+4000mm</b>

- 39.3 The Rose Joints/Rod ends on uprights must at least be of a 16mm thickness,it is suggested that it should be 18mm, with a lock washer to prevent the ball from pulling through.
- 39.4 For safety reasons, all car/engine combinations must be approved by THE COMMITTEE for feasibility
- 39.5 Wheel and tyre specifications must conform to article 17.
- 39.6 **Braking System:** All four wheels must be fitted with a working brake caliper. The minimum requirement for the type of brake calipers and disc used must be Vw Golf GTI or bigger.
- 39.7 **Side Shaft:** All side shafts must be for a VW Golf GTI type or stronger to prevent CV breakage under load conditions.

**40. CONSTRUCTION OF CARS**

- 40.1 Members constructing new cars shall report their intention to the COMMITTEE.
- 40.2 The design and constructions of cars shall be subject to on-going inspection by a technical subcommittee appointed by the COMMITTEE.

**41. FIRE EXTINGUISHERS**

- 41.1 A fire extinguisher/s as prescribed by the relevant GCR/SR with a minimum content of 1kg, and fitted to be accessible and removable by the seated driver(with his safety belts engaged), shall be fitted to each car. Its position shall be indicated by a red E on a white and red background on the outside of the body.
- 41.2 In respect of Class D, it is not required that the fire extinguisher be reached by the seated driver, but the fire extinguisher must be removable and directable from the outside.
- 41.3 **Fire Extinguishers must be serviced every 6 months.**
- 41.4 **Fire strikers may be used and do not need to be serviced every 6 months.**

**NOTE: INTERPRETATION OF RULES**

It is understood by all competitors that the philosophy behind and principle of Formula "M" racing is to provide competitive cost-effective and affordable racing using parts readily available in South Africa in their standard form. Regulations will be interpreted with this in mind and any convenient interpretation of rules on engine, gearbox, chassis or bodywork not within the spirit of these regulations will be regarded as an infringement with the resultant exclusion of the vehicle concerned.

**SUPPLEMENTARY REGULATIONS RELATING TO RACE MEETINGS ORGANISED AND PROMOTED BY THE SOUTH AFRICAN FORMULA "M" RACING CLUB (REFER GCR 87)**

- 42. Status of events: Formula "M" Championship.
- 43. Permit number: to be published with individual race SRs;
- 44. The promoters and organisers are the South African Formula "M" Racing Club;
- 45. The meetings shall be held under the International Sporting Code of the Federation Internationale De l'Automobile (FIA), the general competition rules and standing supplementary regulations of Motorsport South Africa plus the Northern Regions Motor Sport Circulars for the South African Formula "M" Racing Club championship and these

- supplementary regulations plus any additional instructions which may be issued to the competitors by the organisers.
46. The places and dates of meetings organised by the South African Formula "M" Racing Club and other organisers are as published by MSA for the applicable racing year.
  47. Particulars of race tracks: ZWARTKOPS, POLOKWANE, MIDVAAL, PHAKISA and LICHTENBURG all being +1km in length.
  48. Fuel - Refer to article 28.
  49. Categories of vehicles: Only vehicles which comply with the specifications as specified in these regulations.
  50. The onus is on each competitor to enter for a race meeting not later than 10 (ten) days before the scheduled race day.
  51. Late entries can be accepted by the organisers up to 24 (twenty-four) hours before a race meeting, but subject to a penalty equal to 50% (fifty percent) of the entry fee.
  52. Entries must be made on the prescribed form and given to the Club Secretary.
  53. Entry Fee – R650 (Six hundred and fifty) unless otherwise specified on the specific SR for the race. Cheques are to be made payable to: The SA Formula "M" Racing Club.
  54. Documentation: To be done between 7h30 and 10h00 on race day. No car to be passed at scrutineering before documentation has been completed and entry fees have been paid. Competitors to provide MSA licence.
  55. Scrutineering: To be done between 7h30 and 9h30 on race day and afterwards with the consent of the Clerk of the Course. Cars to be presented without detachable bodywork in clean and raceworthy condition by drivers with full racing protective clothing, including gloves and helmet. No car will be allowed on the racetrack on race day without a scrutineering sticker.
  56. Official untimed practice to be held between 08h30 and 09h30 on race day.
  57. Official timed practice to be run from 9h45 to 11h00 on race day.
  58. Starting positions will be determined by lap times recorded during the official practice session. In the event of two (2) drivers recording the same lap time, the more favourable grid position will be allocated to the driver who established that time first.
  59. At the discretion of the Clerk of the Course, competitors who have not recorded official practice times may be positioned at the back of their class.
  60. No official practice, apart from the practice sessions mentioned in articles 56 and 57 on the day of the racing event will be arranged by the organisers. Competitors practicing outside the mentioned times will be doing so at their own risk, the organisers not being liable to provide any medical assistance or marshalling, and such competitors using the track without any insurance protection and solely at their own risk, unless otherwise arranged.
  61. Drivers' briefing will be held at 11h15 on race day. Non-attendance may result in exclusion from the day's racing. Drivers under the age of 16 (sixteen) must be accompanied by a parent.
  62. Races will be held from 12h00 in the sequence as determined by the organisers.
  63. The organisers reserve the right to change the programme as they may find necessary and combine or split categories should the number of entries so dictate.
  64. Licence requirements: Only competitors who are paid-up members of the Club and issued with an applicable MSA licence may participate (refer to article 6). The organisers may, at their sole and indisputable discretion, allow a prospective member with a day licence for 1 (one) race meeting only per championship season.
  65. Results: After every race, results, in accordance with article 9, which will be posted at a notice board will become final 30 (thirty) minutes after posting (refer to GCR 200 (VIII)).
  66. Protests: Refer parts IX and X of the MSA General Competition Rules and Appendices.
  67. The overall results of the day for each Class for purposes of prize-giving will be determined by adding up the points accumulated by each competitor during the day as provided for in article 9. In the event of a tie, the more favourable position will be awarded to the competitor with the best overall result.
  68. Prizes consisting of trophies will be awarded as soon as possible after the results have been declared final for the positions in each class.
  69. Names of stewards and officials: to be published in the relevant SR for the specific race.
  70. Postponement, Abandonment or Cancellation: Refer to GCR 244.
  71. Grid position: Refer to article 11.
  72. Post-race scrutiny: The organisers have the right to impound and examine any vehicle after any practice session or race at their discretion. Cars may be sealed after a race meeting, to be examined in detail at a premise to be advised by the organisers as soon as possible after the race meeting (refer to GCR 254).
  73. Lap times will be recorded by stop watch organised by the organisers, alternatively by a timing system as arranged by the organisers.
  74. Start procedure: Races will be started by dropping the MSA or South African Flag or by lights.
  75. False starts: refer to article 10.
  76. Identification marks: refer to articles 13 and 14.
  77. Judges of fact: The judges of fact will judge the starts and other happenings as posted on the notice board on race day.
  78. Flag signals: Competitors must be familiar with the meaning of the flags used.

79. End of a race: The end of each race will be signified by the waving of the chequered flag.
80. Pits: Fast or reckless driving in or in front of the pits is not allowed. Failure to comply may result in the exclusion from the day's racing. No vehicles other than racing cars, except for official vehicles, are allowed in the pits. Competitors with children under the age of 16 (sixteen) must not allow them to play in or across the pit lane. The consumption of alcoholic liquor by competitors and officials and spectators in the pit area is PROHIBITED (refer to GCR122 and 150).
81. Removal of vehicles: Any vehicle abandoned on the circuit must, if possible, be left in neutral gear and in a safe position from the track. The driver shall remain nearby until his car is removed. Vehicles may only be removed between races with the permission of the Clerk of the Course.
82. Noise checks: Refer to GCR245 in the 1997 MSA General Competition Rules and Appendices.
83. Change of Driver: The stewards may authorise a change of driver (GCR238 refers)
84. Entrant's licences: All non-competing parents or guardians of minor competitors must have an entrant's licence to be presented at documentation as provided for in Appendix R of the MSA General Rules and Appendices, paragraph 5.
85. Rules of the Road and discipline: As the pits of Pietersburg/Polokwane are on the outside of the circuit, slower cars should keep to the outside (LEFT) and passing should normally take place on the RIGHT. The track is defined as a tarred area and not the concrete or dirt verges. Competitors must stay on the track during practice and race.
86. Change of programme: The times listed in articles 56, 57 and 62 are provisional and may be changed. Should the organisers deem it necessary to change the timetable, the revised time table will be issued in the programme for the day, alternatively be posted on the notice board.
87. The MSA flag will be flown at all events.